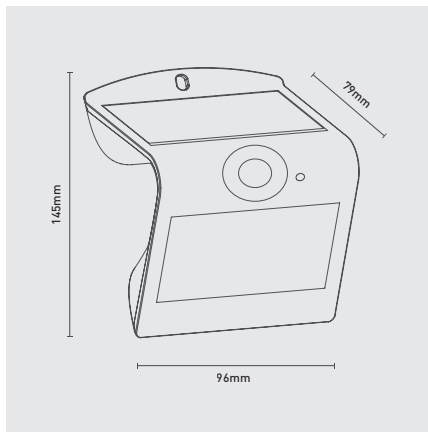


SOLAR GUARDIAN WALL LIGHT

- Ultimate in Energy Saving
- PIR sensor so illuminates only when needed
- Ideal for where mains power not available
- Working modes to suit application



4000K
NEUTRAL
WHITE

IP44
RATED

BLACK
FINISH

WHITE
FINISH

CAT NO.	LUMINAIRE LUMENS	COLOUR TEMPERATURE	DETECTION DISTANCE
LEXS22B40	220	4000K	Up to 6m
LEXS22W40	220	4000K	Up to 6m

STANDARDS

EN 60598-1	Luminaires - General requirements
EN 60598-2-1	Luminaires - Fixed
EN 61347-1	Lamp controlgear - Part 1: General and safety requirements
EN 61347-2-13	Lamp controlgear - Part 2-13 : Particular requirements for d.c. or a.c. supplied electronic controlgear for LED modules
EN 55015	Limits and methods of measurement of radio disturbance characteristics of electrical lighting and similar equipment
EN 61547	Equipment for general lighting purposes - EMC immunity requirements
EN 61000-3-2	Electromagnetic compatibility (EMC) - Part 3-2: Limits - for harmonic current emissions
EN 62471	Photobiological safety of lamps and lamp systems
2002/96/EC	Waste Electrical & Electronic Equipment (WEEE)
2011/65/EU	Restriction of the use of certain Hazardous Substances in EEE (RoHS)
[EC] No 1907/2006	The Registration, Evaluation, Authorisation and Restriction of Chemicals (REACH)

CE RoHS

